

FLOOD LIGHT INSTALLATION INSTRUCTIONS

LOD-KFL20W-XXK	LED FLOOD LIGHT FIXTURE
LOD-KFL30W-XXK	LED FLOOD LIGHT FIXTURE
LOD-KFL50W-XXK	LED FLOOD LIGHT FIXTURE



IMPORTANT

READ CAREFULLY BEFORE INSTALLING FIXTURE. RETAIN THESE INSTRUCTIONS FOR FUTURE REFERENCE.

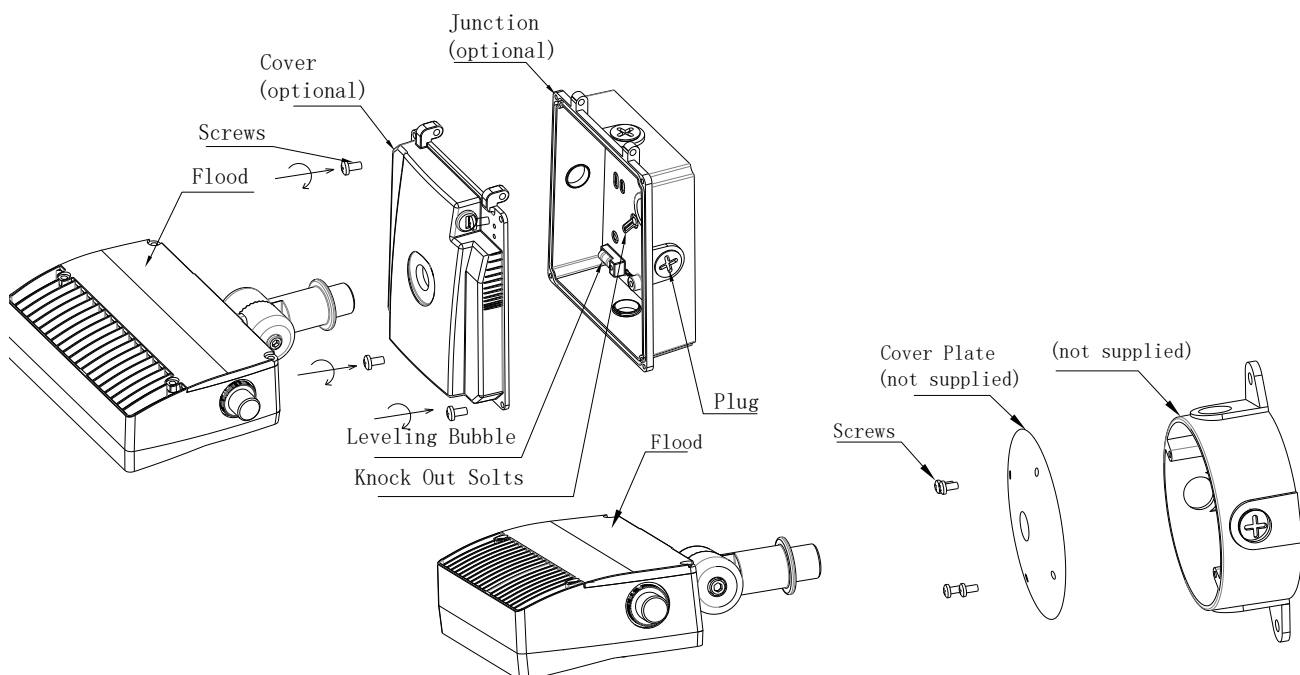
Fixtures must be wired in accordance with the National Electrical Code and all applicable local codes. Proper grounding is required for safety. THIS PRODUCT MUST BE INSTALLED IN ACCORDANCE WITH THE APPLICABLE INSTALLATION CODE BY A PERSON FAMILIAR WITH THE CONSTRUCTION AND OPERATION OF THE PRODUCT AND THE HAZARDS INVOLVED.

WARNING: Make certain power is OFF before installing or maintaining fixture. No user serviceable parts inside.

JUNCTION BOX MOUNTING

Mount to a weatherproof junction box and cover plate (not supplied) as shown. To ensure weatherproof seal, apply weatherproof silicone sealant back of junction box. This is especially important with an uneven wall surface.

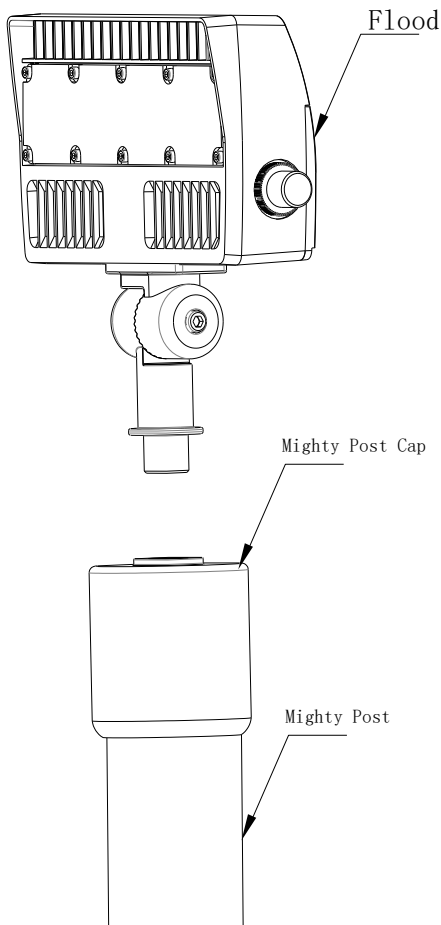
1. Thread fixture into Cover Plate. Seal arm thread using Teflon tape or silicone sealant.
2. Connect wires correctly.
3. Attach cover to Junction Box.
4. Aim floodlight in the direction desired and tighten locknut and Arm Screw.



Ground Mounting

Mount to a Mighty Post as shown.

1. Thread fixture into Mighty Post Cap.
2. Connect wires correctly.
3. Place Mighty Post Cap on the Mighty Post.
4. Aim floodlight in the direction desired and tighten locknut and Arm Screw.



Trunnion Mounting

CAUTION: UL and C-UL listed or CSA certified liquid tight cord grip suitable for use with three conductor type STW flexible cord shall be used for connection to a wet location outlet box provided by others.

To adjust the angle of the fixture using the trunnion:

1. Loosen the Pivot Bolts & angle locking screw.
2. Adjust fixture to desired angle.
3. Tighten Pivot Bolts & angle locking screw.

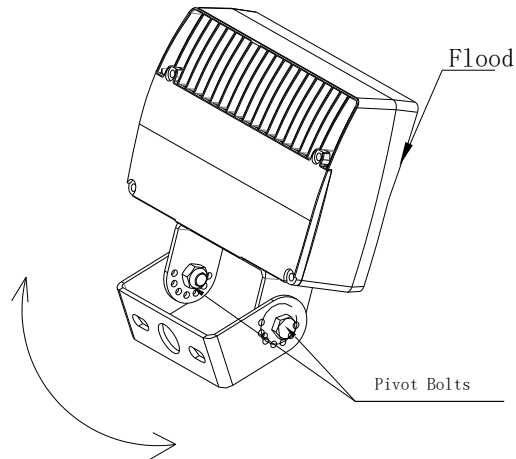


Fig.1 Without photocell

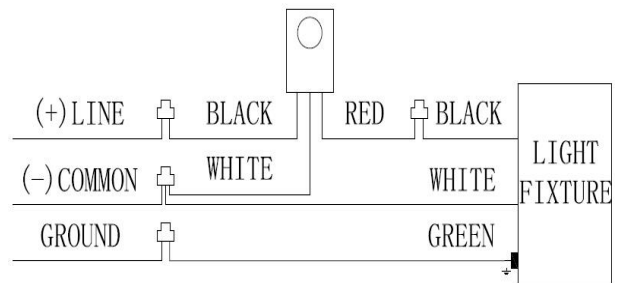
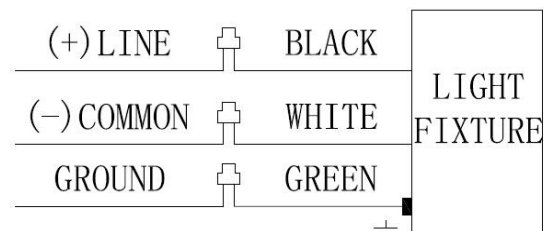


Fig2. With photocell



WIRING

Universal voltage driver permits operation at 120V to 277VAC, 50 or 60 Hz **except fixtures factory ordered with a (PC)**

1. Connect the black fixture lead to the (+) LINE supply lead.
2. Connect the white fixture lead to the (-) COMMON supply lead.
3. Connect the GROUND wire from fixture to supply ground

CLEANING & MAINTENANCE

CAUTION: Be sure fixture temperature is cool enough to Touch. Do not clean or maintain while fixture is Energized.

1. Clean lens & fixture with non-abrasive glass cleaning solution.
2. Do not open fixture to clean the LED. Do not touch the LED.

Note: These instructions do not cover all details or variations in equipment nor do they provide for every possible situation during installation operation or maintenance.

TROUBLESHOOTING

1. Check that the line voltage at fixture is correct. Refer to wiring directions.
2. Is the fixture grounded properly?